

## DTC WALLMOUNT DOUBLE DOOR



### STANDARIZATION

- Comply with ANSI / EIA RS-310-D, DIN41491 ; PART1, IEC297-2 DIN 41494 ; PART7, GB / T3047.2-92 standard

### FEATURE

- Strong welded structure
- Frame structure, double section wall mount cabinet
- Standard cabinet equipped with adjustable 19 mounting post
- Removable side doors and tempered glass front door safe with lock
- Cable entry on both of the top cover and bottom plate
- Cabinet can be fastened directly onto the wall just with screws
- Flat package, easy to carry and save space
- Fan hole available on the top cover

### APPLICATION

- Widely used in network system, educational system, broadcasting system and telecommunication system. Suitable for placing server computer and precision electronic equipment

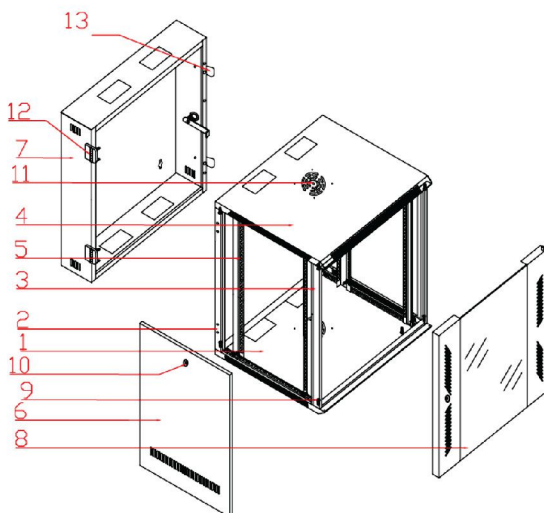
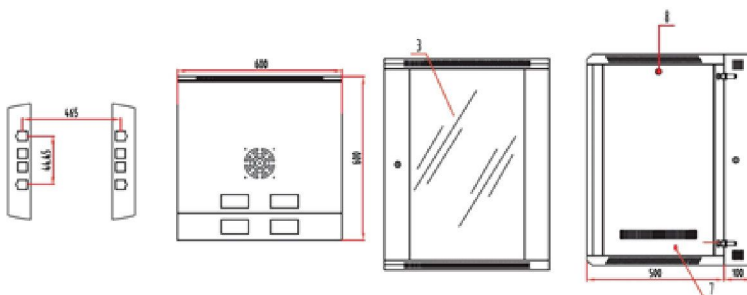
## TECHNICAL DATA

Part	Material	Surface Finish
Frame	1.2 mm Cold Rolled Steel SPCC	Textured powder paint
Mounting post	1.5 mm Cold Rolled Steel SPCC	Textured powder paint
Rear plate	1.2 mm Cold Rolled Steel SPCC	Textured powder paint
Others	1 mm Cold Rolled Steel SPCC	Textured powder paint

## STANDART SIZE

	Dimensions		Depth 450	Depth 600
	Height	Width		
4u	271 mm	600 mm	SNW.MD.04/0604	SNW.MD.04/0606
6u	360 mm	600 mm	SNW.MD.06/0604	SNW.MD.06/0606
8u	450 mm	600 mm	SNW.MD.08/0604	SNW.MD.08/0606
10U	540 mm	600 mm	SNW.MD.10/0604	SNW.MD.10/0606
12u	626 mm	600 mm	SNW.MD.12/0604	SNW.MD.12/0606
15u	760 mm	600 mm	SNW.MD.15/0604	SNW.MD.15/0606

## STRUCTURE



## KETERANGAN

- |                  |                      |
|------------------|----------------------|
| 1. Base Panel    | 7. Double Door       |
| 2. Back Frame    | 8. Front Door        |
| 3. Front Frame   | 9. Front Hinge       |
| 4. Top Panel     | 10. Side Panel Key   |
| 5. Mounting Post | 11. Top Fan          |
| 6. Side Panel    | 12. Back Hinge       |
|                  | 13. Back Door Holder |





# DTC STANDARD WALLMOUNT SINGLE DOOR



## STANDARIZATION

- Comply with ANSI / EIA RS-310-D, DIN41491 ; PART1, IEC297-2 DIN 41494 ; PART7, GB / T3047.2-92 standard

## FEATURE

- Strong welded structure
- Frame structure, single section wall mount cabinet
- Standard cabinet equipped with adjustable 19 mounting post
- Removable side doors and tempered glass front door safe with lock
- Cable entry on both of the top cover and bottom plate loading capacity: 60KG
- Cabinet can be fastened directly onto the wall just with screws
- Flat package, easy to carry and save space
- Fan hole available on the top cover

## APPLICATION

- Widely used in network system, educational system, broadcasting system and telecommunication system. Suitable for placing server computer and precision electronic equipment

## TECHNICAL DATA

Part	Material	Surface Finish
Mounting post	1.8 mm thick steel	Textured powder paint
Others	1 mm thick steel	Textured powder paint

## STANDART SIZE

RU	Dimensions		Depth 450	Depth 600
	Height	Width		
8u	450	600	SNC.MS.08/0604	SNC.MS.08/0606
12u	626	600	SNC.MS.12/0604	SNC.MS.12/0606
15u	760	600	SNC.MS.15/0604	SNC.MS.15/0606

## STRUCTURE

